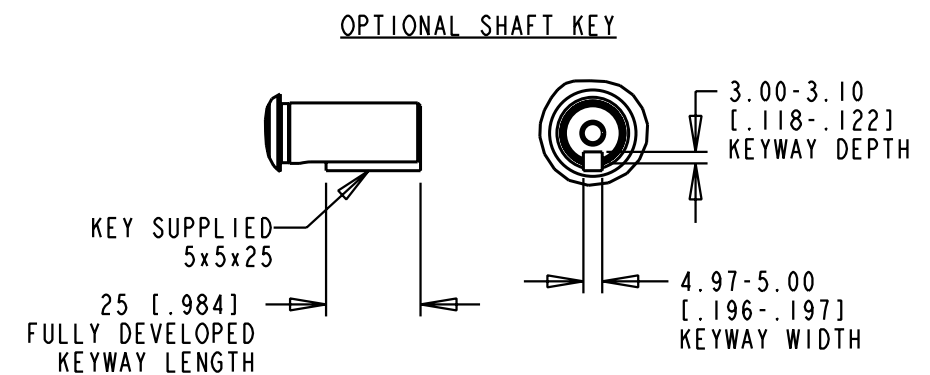
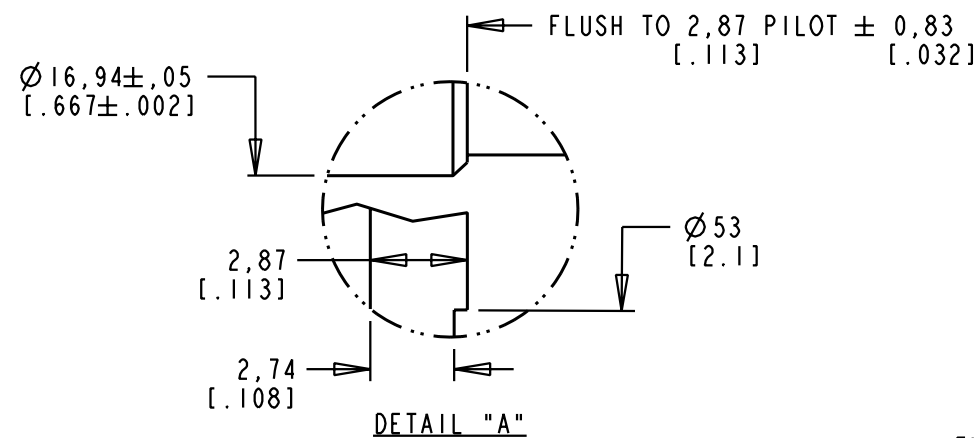
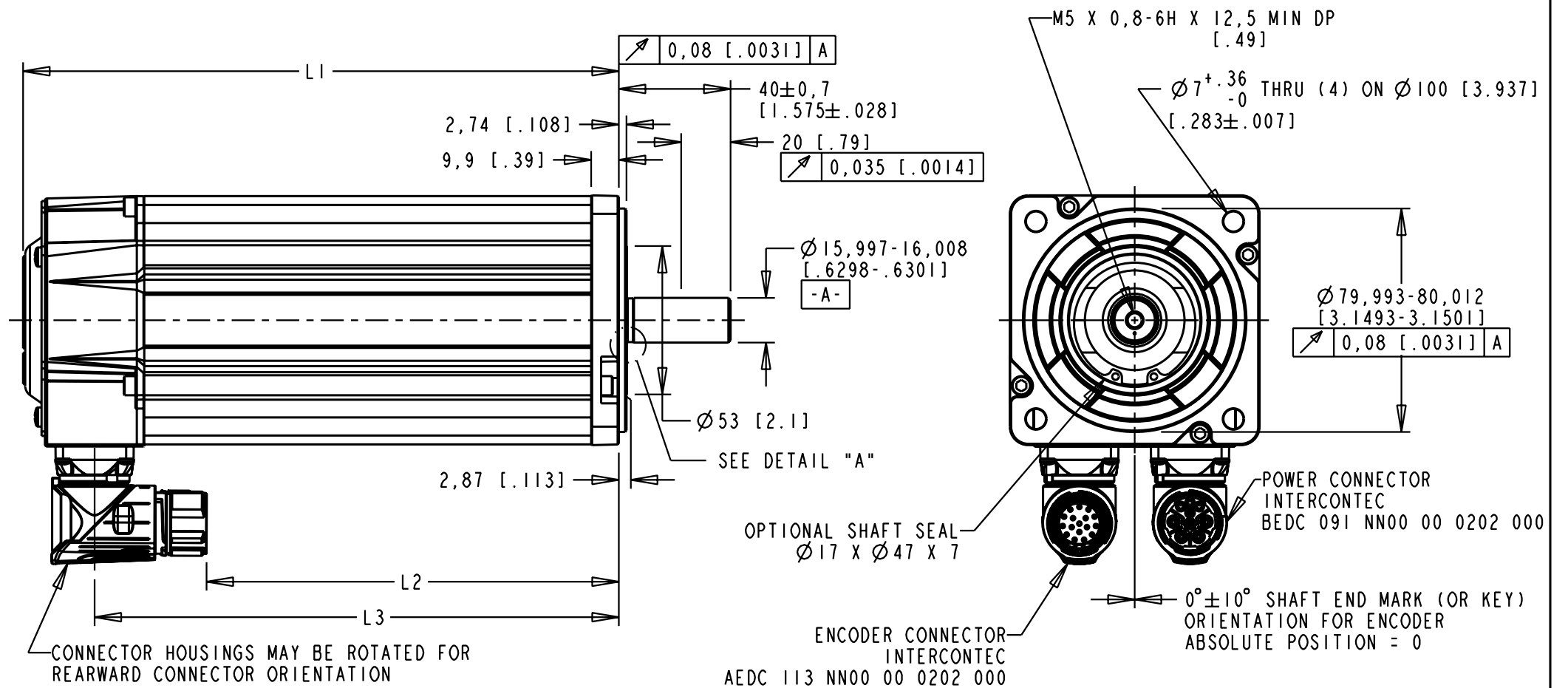


MODEL	L1	L2	L3
310	163 [6.40]	97 [3.81]	137 [5.39]
320	188 [7.40]	122 [4.81]	162 [6.39]
330	213 [8.40]	148 [5.81]	188 [7.39]

PIN-OUT	
PIN	FUNCTION
A	U
B	V
C	W
D	GND
E	-
F	MBRK+
G	MBRK-
H	-
L	-

PIN-OUT	
PIN	FUNCTION
1	SIN +
2	SIN -
3	COS +
4	COS -
5	DATA +
6	DATA -
7-8	-
9-10	-
11	EPWR 9V
12	ECOM
13	TS+
14	TS-
15-17	-

- NOTE:
- DXF OF THIS DRAWING MUST BE SCALED TO LENGTH ON CHART (310, 320). MODEL SHOWN IS MPL-x330x-xx74AA.
 - 3D STEP (.stp) FILES AVAILABLE AT ALL LENGTHS.
 - COVERS SINGLE AND MULTI-TURN ABSOLUTE ENCODER 460V MODELS (i.e., MPL-B3xxx-Mx74AA and MPL-B3xxx-Sx74AA).



REFERENCES		DESCRIPTION	CAD DOCUMENT	
VERSION/ CHANGE NUMBER	UNLESS OTHERWISE SPECIFIED DO NOT SCALE DRAWING DIMENSIONS ARE IN MILLIMETERS WITH INCHES REFERENCED [X] UNTOLERANCED DIMENSIONS ARE REFERENCE 3RD ANGLE PROJECTION	MPL-B3xxx-xx74AA, ESM	Allen-Bradley	
00	10005711	Rockwell Automation	SHEET 1 OF 1	
		DR. D. HECKSEL DATE 05/22/08	DWG. SIZE B DOCUMENT NUMBER 10000020722	
		DXF 2D OR STEP 3D FILE AVAILABLE		